

WI-1880 Automatic Balancing Valve

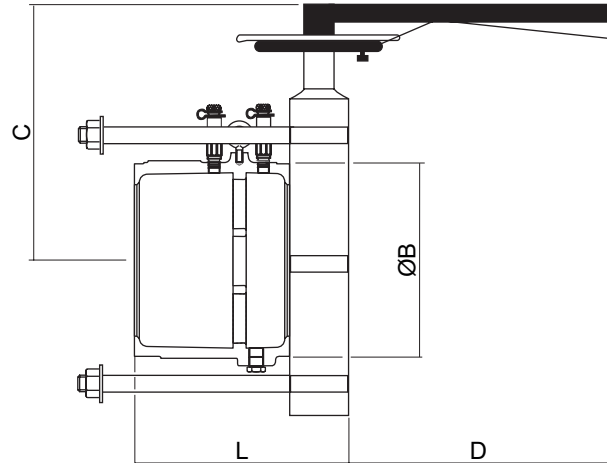
Wafer Pattern, Butterfly Valve and Test Points

Compatible with ASME/ANSI Flanges Class 125/150 - 2½" to 8"

DIMENSIONS - In.						
Size	L	B	C	D	Weight Lbs. ¹	Max No 3" Cartridges
2½"	7.5	4.8	7.2	9.0	23	1 ²
3"	10.6	5.4	7.6	9.0	34	1
4"	11.7	6.8	8.4	9.0	53	2
5"	12.3	7.6	8.9	9.0	86	3
6"	12.4	8.5	9.6	9.0	103	4
8"	13.4	11.0	10.8	5.0	151	7

¹Valve body without cartridge

²Uses 2½" cartridge



Sizes 2½" to 8"
225 PSI Non-Shock -20°F to 250°F
Maximum Temperature 250°F at 225 PSI

Flow Measurement Accuracy ±5%

Balancing Cartridges to be selected based upon specified flow requirements

MATERIAL LIST		
	PART	SPECIFICATION
Automatic Balancing Valve	Body	Ductile Iron ASTM A536
	Regulating Cartridge*	Brass UNS C35330 (DZR) & Stainless St.
	Test Point (2)	Brass UNS C35330 (DZR)
	Test Point Extender (2)	DRZ Brass
	Stud Kit	Steel - Zinc Plated
	Tie	Polypropylene Blue Color
	Tie	Polypropylene Red Color
Butterfly Valve	Body - Lugged	Cast Iron - ASTM A-126 B
	Body Liner	EPDM
	Stem Seal	EPDM
	Disc	Aluminum Bronze - UNS C95500
	Stem	Stainless Steel - ASTM A582 Type 416

*Balancing Cartridge sold as separate part.

CARTRIDGE RANGE	
Control Range psi	Flow Rate Increments gpm
2 to 32	5
5 to 60	5
3 to 20	10
5 to 40	10
7 to 45	10

Project: _____

Contractor: _____

PO/Job No.: _____

Engineer: _____

Representative: _____

Date: _____