

Class 150 Bronze Gate Valves

Bolted Bonnet • Rising Stem • Solid Wedge

150 PSI/10.3 bar saturated steam to 366°F/185°C
300 PSI/20.7 bar non-shock cold working pressure

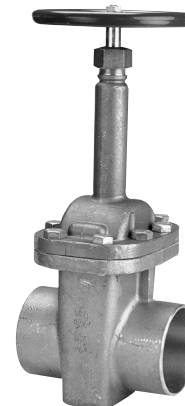
CONFORMS TO MSS SP-80

MATERIAL LIST

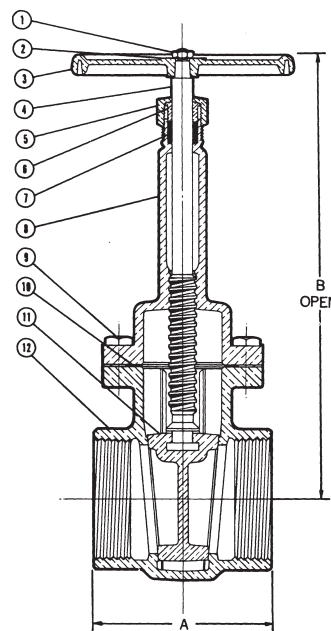
PART	SPECIFICATION
1. Handwheel Nut	300 Series Stainless Steel
2. Identification Plate	Aluminum
3. Handwheel	Aluminum Commercial Alloy 380
4. Stem	Silicon Bronze ASTM B 371 Alloy C69400/C69430
5. Packing Nut	Bronze ASTM B 62 or ASTM B124 Alloy CC7300 or Brass ASTM B 16
6. Packing Gland	Bronze ASTM B 62 or ASTM B584 Brass ASTM B16 C36000
7. Packing	Aramid Fibers with Graphite
8. Bonnet	Bronze ASTM B 62
9. Bonnet Bolt	Zinc Plated Steel
10. Bonnet Gasket	Aramid Fibers with Graphite
11. Wedge	Bronze ASTM B 62
12. Body	Bronze ASTM B 62



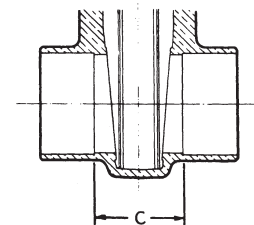
T-134
Threaded



S-134
Solder



T-134
NPT x NPT



S-134
C x C

DIMENSIONS—WEIGHTS—QUANTITIES

Size	Dimensions						T-134		S-134		Master Ctn. Qty	
	In.	mm.	In.	mm.	In.	mm.	Lbs.	Kg.	Lbs.	Kg.		
4	100	6.44	164	20.81	529	3.56	90	45.68	20.72	43.96	19.94	1

FREEZING WEATHER PRECAUTION: Subsequent to testing a piping system, valves should be left in an open position to allow complete drainage.

♦ For detailed Operating Pressure, refer to Pressure Temperature Chart on page 114.

WARNING: This product can expose you to chemicals including lead, which is known to the State of California to cause cancer and birth defects or other reproductive harm. For more information go to www.P65Warnings.ca.gov.

Visit our website for the most current information.