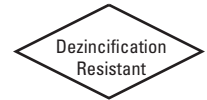


Class 200 Bronze Check Valves

Horizontal Swing • Regrinding Type • Renewable Seat and Disc • Y-Pattern

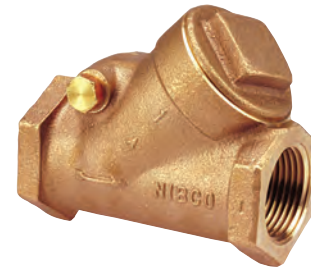
200 PSI/13.8 bar saturated steam to 391° F/201° C
400 PSI/27.6 bar non-shock cold working pressure

CONFORMS TO MSS SP-80



MATERIAL LIST

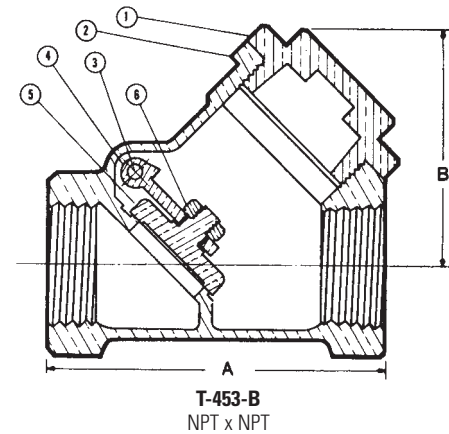
PART	SPECIFICATION
1. Bonnet	Bronze ASTM B 61
2. Body	Bronze ASTM B 61
3. Hinge Pin	316 SS or 304 SS
4. Disc Hanger	Bronze ASTM B 61 or MPIF SS-316NI-25
5. Seat Disc	Bronze ASTM B 61 C92200
6. Hanger Nut	Bronze ASTM B 16 C31400
7. Hinge Pin Plug	ASTM B 140 Alloy C31600 (not shown)



T-453-B
Threaded

DIMENSIONS—WEIGHTS—QUANTITIES

Size	Dimensions				Weight		Master Ctn. Qty.	
	A		B		Lbs.	Kg.		
In.	mm.	In.	mm.	In.	mm.			
¼	8	2.25	57	1.56	40	0.53	0.24	50
⅜	10	2.25	57	1.56	40	0.54	0.24	50
½	15	2.63	67	1.75	44	0.60	0.27	50
¾	20	3.13	79	2.06	52	0.99	0.45	25
1	25	3.75	95	2.44	62	1.56	0.71	30
1¼	32	4.38	111	3.13	79	2.33	1.06	10
1½	40	4.94	125	3.75	95	3.11	1.41	10
2	50	5.81	148	4.50	114	5.33	2.42	5
2½	65	8.00	203	5.31	135	13.72	6.22	5
3	80	9.25	235	6.25	159	17.64	8.00	4



T-453-B
NPT x NPT

Install 5 pipe diameters minimum downstream from pump discharge or changes in direction to avoid flow turbulence. Flow straighteners may be required in extreme cases.

Note: On pump discharge, the preferred check valves are:
- inline, spring assisted, center-guided, lift checks.

NIBCO® Check Valves may be installed in both horizontal and vertical lines with upward flow or in any intermediate position. They will operate satisfactorily in a declining plane (no more than 15°).

Warning – Do Not Use For Reciprocating Air Compressor Service.

♦ For detailed Operating Pressure, refer to Pressure Temperature Chart on page 116.

WARNING: This product can expose you to chemicals including lead, which is known to the State of California to cause cancer and birth defects or other reproductive harm. For more information go to www.P65Warnings.ca.gov.

Visit our website for the most current information.