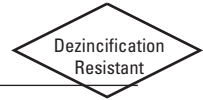


250 PSI CWP Bronze Angle Valves

Screw-in Bonnet • Integral Seat • Renewable Disc



250 PSI/17.2 Bar Non-Shock Cold Working Pressure

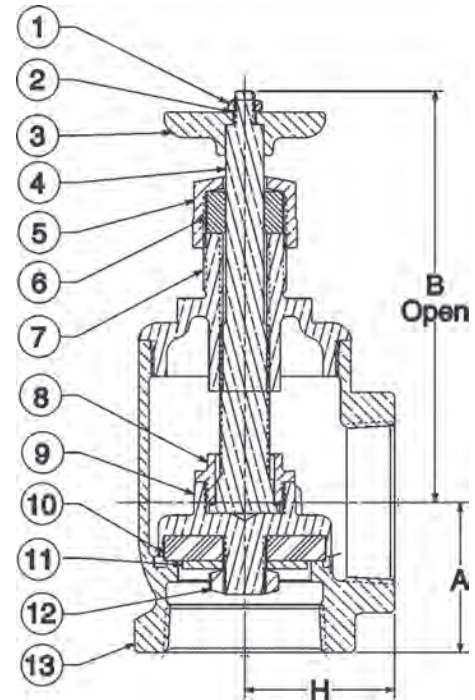
CONFORMS TO MSS SP-80

MATERIAL LIST

PART	SPECIFICATION
1. Handwheel Nut	Stainless Steel
2. Identification Plate	Aluminum
3. Handwheel	Bronze Cross ASTM B 62 Alloy C83600
4. Stem	Silicon Bronze ASTM B 371 Alloy C69430
5. Packing Nut	Brass ASTM B 16 Alloy C36000
6. Packing	Aramid Fibers with Graphite
7. Bonnet	Bronze ASTM B 62 Alloy C83600
8. Disc Holder Nut	Bronze ASTM B 62 Alloy C83600
9. Disc Holder	Bronze ASTM B 62 Alloy C83600
10. Seat Disc	Nitrile Rubber (W)
11. Seat Disc Washer	Stainless Steel
12. Seat Disc Nut	Silicon Bronze ASTM B 96 Alloy C65100
13. Body	Bronze ASTM B 584 Alloy C83600



T-381-WK
Threaded



T-381-WK
NPT x NPT

DIMENSIONS—WEIGHTS—QUANTITIES

Size	Dimensions						Weight		Box		
	A		B		H		Lbs.	Kg.	Qty.	Ctn. Qty.	
In.	mm.	In.	mm.	In.	mm.	In.	mm.	Lbs.	Kg.	Qty.	Ctn. Qty.
2	50	2.25	57	7.14	181	2.25	57	6.72	3.05	1	6

WARNING: This product can expose you to chemicals including lead, which is known to the State of California to cause cancer and birth defects or other reproductive harm. For more information go to www.P65Warnings.ca.gov.