

250 PSI CWP Bronze Gate Valve

Screw-in Bonnet • Non-Rising Stem • Solid Wedge •
Push-on Ends with Joint Restraints

250 PSI/17.2 Bar Bar Non-Shock Cold Working Pressure

CONFORMS TO MSS SP-80

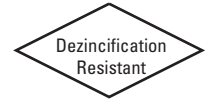
MATERIAL LIST

PART	SPECIFICATION
1. Handwheel Nut	300 Series Stainless Steel
2. Identification Plate	Aluminum
3. Handwheel, Cross	Bronze ASTM B 584 Alloy C84400
4. Stem	Silicon Bronze ASTM B 371 Alloy C69430 or ASTM B 99 Alloy C65100
5. Packing Nut	Bronze ASTM B 62 or ASTM B 584 or Brass ASTM B 16
6. Packing Gland	Bronze ASTM B 62 or ASTM B 584 or Brass ASTM B 16
7. Packing	Aramid Fibers with Graphite
8. Stuffing Box	Bronze ASTM B 62 Alloy C83600
9. Bonnet	Bronze ASTM B 62 Alloy C83600
10. Body	Bronze ASTM B 584 Alloy C84400 or ASTM B 62 Alloy C83600
11. Wedge	Bronze ASTM B 62 Alloy C83600

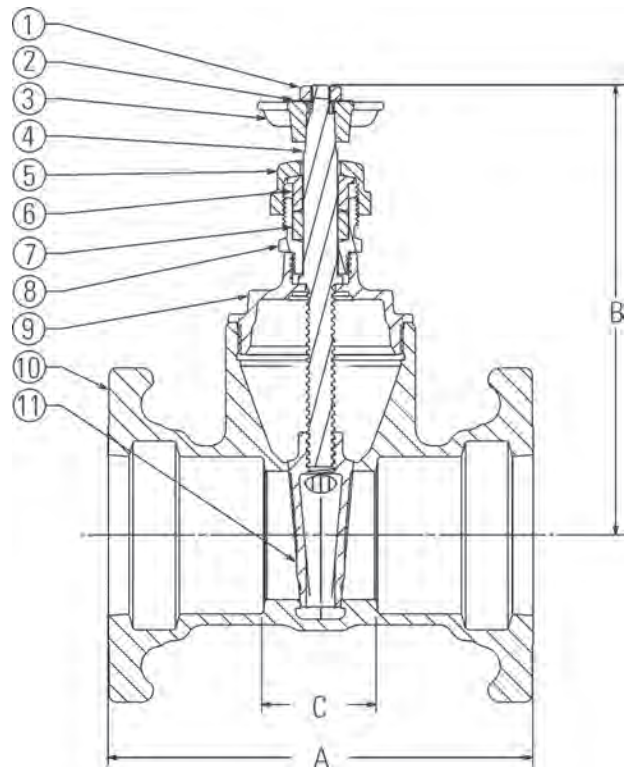
DIMENSIONS—WEIGHTS

Size	Dimensions						Weight		
	A		B		C		Lbs.	Kg.	
In.	mm.	In.	mm.	In.	mm.	In.	mm.	Lbs.	Kg.
2	50	6.63	168.4	7.00	177.8	1.78	45.2	8.28	3.75

⚠ WARNING: This product can expose you to chemicals including lead, which is known to the State of California to cause cancer and birth defects or other reproductive harm. For more information go to www.P65Warnings.ca.gov.



PR-113-K



PR-113-K
PO x PO

Freezing Weather Precaution – Subsequent to testing a piping system, valves should be in an open position to allow complete drainage.