

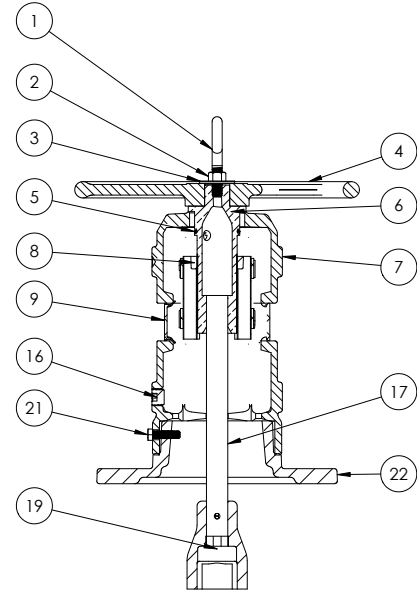
Indicator Posts

Fire Protection • Wall Post • For use with non-rising stem indicator post style gate valves

UL LISTED • FM APPROVED

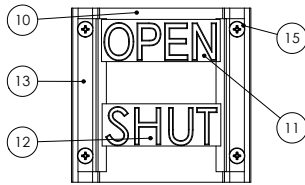
MATERIAL LIST

PART	SPECIFICATION
1. Eye Bolt	Steel - Zinc Plated
2. Nut	Steel - Zinc Plated
3. Washer	Steel - Zinc Plated
4. Handwheel	Cast Iron
5. Retainer O-Ring	Nitrile
6. Operating Stem Nut	Bronze ASTM B584 Alloy 864
7. Upper Body	Cast Iron ASTM A126 Class B
8. Target Carrier Nut	Bronze ASTM B584 Alloy 864
9. Window	Lexan-UV Stabilized
10. Target Carrier Plate (2)	Steel Plated
11. Open Target (2)	Cast Aluminum
12. Shut Target (2)	Cast Aluminum
13. Clamp Target Retainer (4)	302 SS
14. Hex Nut (8)	Steel - Zinc Plated
15. Pan Head Screw (8)	Steel - Zinc Plated
16. Pipe Plug	Malleable Iron
17. Operator Rod	Steel
18. Cotter Pin	Brass
19. Operator Rod Coupling	Cast Iron ASTM A126 Class B
20. Eye Bolt	Forged Steel
21. Hex Head Screw	Steel - Zinc Plated
22. Base Flange	Cast Iron ASTM A126 Class B



NIP-3AJ

Wall Post



Weight includes operator rod and coupling

	Lbs.	Kg.
NIP-1AJ - Upright Adjustable Post	150	68
NIP-3AJ - Wall Post	73	33

Note: 63" long 1" square operator rod supplied with NIP-1AJ and
32" long 1" square operator rod supplied with NIP-3AJ

* Mounting hardware included

Indicator Post Gate Valve Dimensions

Valve Size	4"		6"		8"		10"		12"			
	ln.	mm.	ln.	mm.	ln.	mm.	ln.	mm.	ln.	mm.		
Dimension from centerline of valve to top of the operating nut	F/M609 (IBBM)	14.1 358	18.6 472	22.1 561	25.8 655	29.5 749	F/M609RW	13.5 342	17.0 432	20.5 520	23.8 605	27.0 686
Turns to open (±.5 turn)	F/M609 (IBBM)	9	13.5	17.5	30.25	38.25	F/M609RW	12.8	15	17.6	21.2	25.1

