

# Fig. 95C Frostproof Sillcock

Chrome Plated Brass Body • 180° Turn • Ceramic Seats • Built in Lockshield • Flow Indicator on Metal Handwheel

ASSE 1019-C

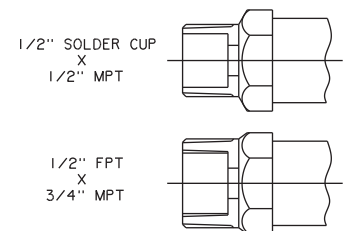
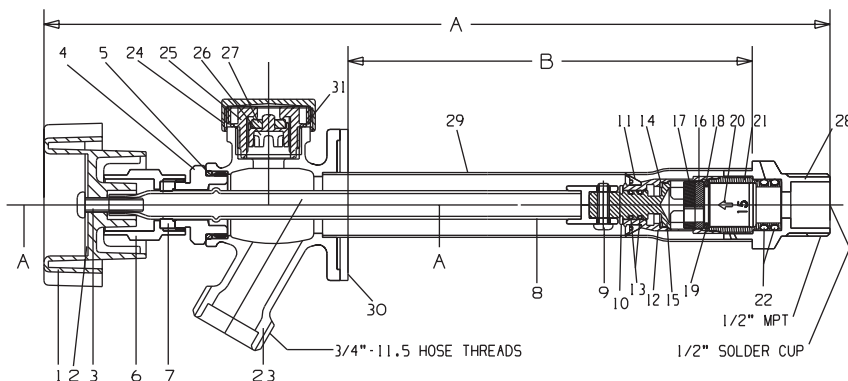
## MATERIAL LIST

PART	SPECIFICATION
1. Handwheel	Aluminum B85 Epoxy Coated
2. ID Plate	Aluminum
3. Screw	Brass B16 C36000
4. Bonnet	Brass B16 C36000
5. O-Ring	NBR
6. Lockshield	Brass B16 C36000
7. Washer Seal	NBR
8. Stem	Brass B135 C33000
9. Screw	304 SS
10. V-Clip	304 SS
11. V-Cup Seal	NBR
12. Housing	Brass B16 C36000
13. O-Ring	NBR
14. Seal Washer	PTFE
15. Inner Stem	Brass B16 C36000
16. Seat 180°	Ceramic
17. Movement 180°	Ceramic
18. Washer	Silicon Rubber
19. Washer	Brass B16 C36000
20. Spring Check Valve	304 SS
21. Valve Base	Brass B16 C36000
22. O-Ring	FKM
23. Cast Body	Brass B584 C85700
24. Vent Cap	POM - Chrome Plated
25. Vent Body	POM
26. Poppet	POM
27. Vent Seat	NBR
28. Inlet End	Brass B16 C36000
29. Body Tube	Brass B135 C33000
30. Siding Plate	Plastic
31. O-Ring	NBR



## DIMENSIONS — WEIGHTS

Size (In.)	A	B	Wt. Lbs.	Size (In.)	A	B	Wt. Lbs.
1/2 x 4	9 3/4	4	1.28	3/4 x 4	9 3/4	4	1.31
1/2 x 6	11 3/4	6	1.37	3/4 x 6	11 3/4	6	1.40
1/2 x 8	13 3/4	8	1.44	3/4 x 8	13 3/4	8	1.47
1/2 x 10	15 3/4	10	1.49	3/4 x 12	17 3/4	12	1.62
1/2 x 12	17 3/4	12	1.54				
1/2 x 14	19 3/4	14	1.60				



**WARNING:** This product can expose you to chemicals including lead, which is known to the State of California to cause cancer and birth defects or other reproductive harm. For more information go to [www.P65Warnings.ca.gov](http://www.P65Warnings.ca.gov).

**NOT FOR USE WITH POTABLE DRINKING WATER APPLICATIONS AFTER JANUARY 3, 2014.**