

Class 250 Iron Body Check Valves

Bolted Bonnet • Horizontal Swing • Renewable Bronze Seat and Disc*

500 PSI/34.5 bar non-shock cold working pressure to -20°F to 150°F/-29°C to 66°C†

Maximum working temperature 450°F/232°C at 250 PSI/17.2 bar

250 PSI/17.2 bar saturated steam to 406°F/208°C

CONFORMS TO MSS SP-71 TYPE 1 • APPROVED BY
THE NEW YORK CITY B.S.A. 143-69-SA AT 350 PSI
NON-SHOCK COLD WATER

MATERIAL LIST

PART	SPECIFICATION
1. Body Bolt	Steel ASTM A307/SAE J429
2. Identification Plate	Aluminum
3. Bonnet	Cast Iron ASTM A126 Class B
4. Body Gasket	Reinforced Graphite
5. Body Nut	Steel ASTM A563
6. Side Plug	Brass ASTM B16 Alloy C36000
7. Hanger Pin	Copper Alloy ASTM B16 Alloy C36000
8. Hanger	Copper Alloy ASTM B584 Alloy C84400
9. Disc Nut	Copper Alloy ASTM B584 Alloy C84400
10. Disc	Copper Alloy ASTM B584 Alloy C84400
11. Seat Ring	Copper Alloy ASTM B584 Alloy C84400
12. Body	Cast Iron ASTM A126 Class B

NOTE: NIBCO may substitute Ductile Iron ASTM A395 (60-40-18) for ASTM A126 Class B Cast Iron for the Body, Bonnet, Wedge, or Disc. NIBCO may substitute Ductile Iron ASTM A395 (60-40-18) or ASTM A536 (65-45-12) for all other ASTM A126 Class B Cast Iron components.

DIMENSIONS—WEIGHTS—QUANTITIES

Size	Dimensions								Weight	
	A		B		D		E		Lbs.	Kg.
In. mm.	In.	mm.	In.	mm.	In.	mm.	In.	mm.		
2½ 65	11.50	292	5.83	149	7.50	191	1.00	25	62	28
3 80	12.50	318	6.31	160	8.25	210	1.13	29	77	35
4 100	14.00	356	7.56	192	10.00	254	1.25	32	129	58
6 150	17.50	445	8.50	216	12.50	318	1.44	37	225	102

*Proper machining facilities required.

Note: On pump discharge, the preferred check valves are:

- inline, spring assisted, center-guided, lift checks
- spring assisted twin (double) disc
- swing design with lever and weight or lever and spring

Install 5 pipe diameters minimum downstream from pump discharge or changes in direction to avoid flow turbulence. Flow straighteners may be required in extreme cases.

NIBCO Iron Body Check Valves may be installed in both horizontal and vertical lines with upward flow or in any intermediate position.

Warning – Do Not Use For Reciprocating Air Compressor Service.

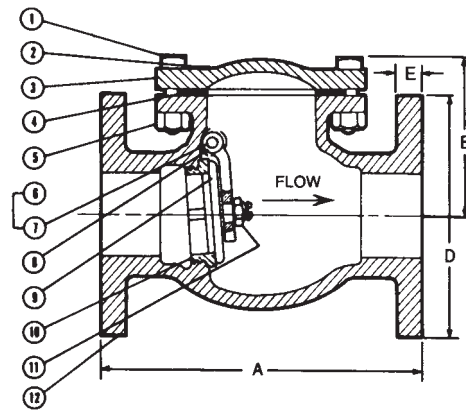
Warning: Swing checks are not recommended for vertical installation in NPS 4 or larger.

♦ For detailed Operating Pressure, refer to Pressure Temperature Chart on page 116.

WARNING: This product can expose you to chemicals including lead, which is known to the State of California to cause cancer and birth defects or other reproductive harm. For more information go to www.P65Warnings.ca.gov.



F-968-B
Flanged



F-968-B
Flg x Flg

Visit our website for the most current information.