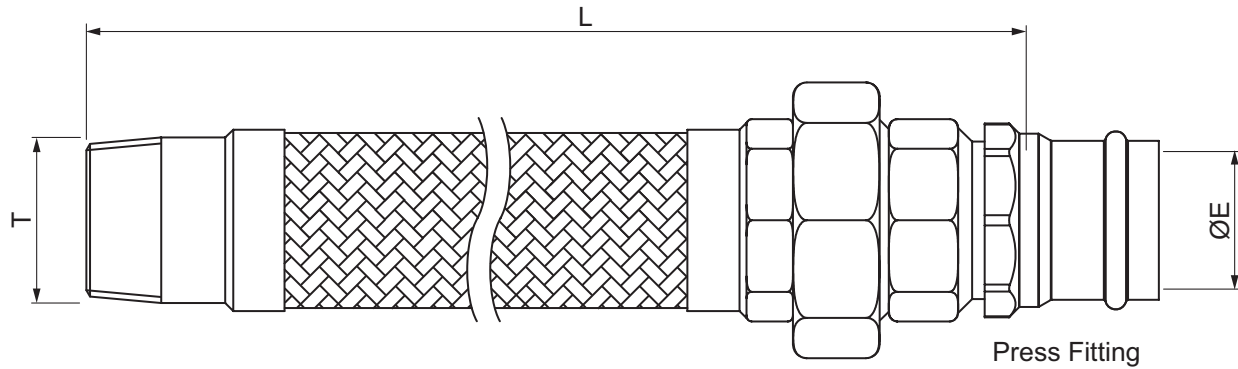


1950 Stainless Steel Hose Assembly

NPT Threaded End x Press End - 1½" to 2"



	1½"	2"
Working Pressure	200 psi	200 psi
Maximum Temperature	210°F	210°F
Minimum Bend Radius	11.25"	12.75"
T	1½" - 11.5 NPT	2" - 11.5 NPT
ØE	1.63	2.13

Size	Weight Lbs.
1½" x 12"	4.62
1½" x 18"	4.92
1½" x 24"	5.23
1½" x 36"	5.80

Size	Weight Lbs.
2" x 12"	8.20
2" x 18"	8.60
2" x 24"	9.10
2" x 36"	10.00

Project: _____

Contractor: _____

PO/Job No.: _____

Engineer: _____

Representative: _____

Date: _____