

NEW NIBCO® 585HP Lead-Free Bronze Ball Valves

PATENT US 10,234,043
& PATENT PENDING

Features: Silicon Performance Bronze® Alloy • Laser-Welded Cast Body • Triple-Sealed Stem • Reversible Handle • Easily Adjustable Packing Nut • Blowout-Proof Stem

Approvals: MSS-SP110/145 • IAPMO/ANSI Z1157 • NSF/ANSI/CAN 61-8 Commercial Hot 180° F • NSF/ANSI 372 • ICC-ES PMG-1558 • ASME A112.4.14/CSA B125.14

Size range: ½" - 2"

Pressure / temperature ratings:

- **T-585HP: 1,000 psi non-shock cold working pressure**
- **S-585HP (½" - 1")*: 1,000 psi non-shock cold working pressure**
- **S-585HP (1¼" - 2")*: 850 psi non-shock cold working pressure**
- **150 saturated steam working pressure***

Lead-free markings: Double oval in body casting, white handle and blue hang tag



C NSF/ANSI 61 & 372
IAPMO/ANSI Z1157



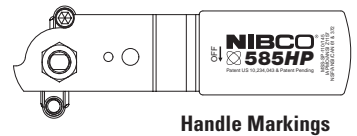
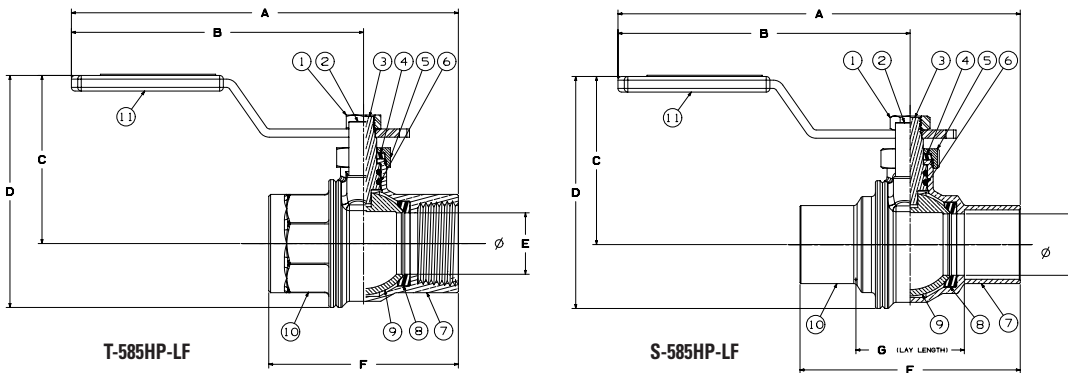
NSF/ANSI/CAN 61
NSF/ANSI 372



PART	SPECIFICATION
1. Handle Nut	Carbon Steel, GEOMET® Coated
2. Handle Stop	ASTM A276 S31600 Stainless Steel
3. Stem	ASTM C69300 Lead-free Silicon Bronze
4. Packing	PTFE
5. Packing Nut	ASTM B16 C36000 Brass
6. Stem O-ring (2)	Omonix® EPDM
7. Body	ASTM B584 C87500 DZR Lead-free Silicon Bronze Casting
8. Seats (2)	Reinforced PTFE
9. Ball	ASTM B584 C46500 DZR Lead-free Brass (½" - 1") ASTM A276 S31600 or A351 CF8M Stainless Steel (1¼" - 2")
10. Body End Piece	ASTM B584 C87500 DZR Lead-free Silicon Bronze Casting
11. Handle	Carbon Steel, GEOMET® Coated, Plastisol Grip



585HP-66-LF with stainless steel trim also available.



- Handle Options:**
- NIB-Seal®
 - NIB-Seal® Locking Lever
 - Locking Lever
 - Stainless Steel Locking Lever
 - Extended Lever w/ Memory Stop

DIMENSIONS - WEIGHTS

Size	S-585HP-LF		T-585HP-LF		S-585HP-LF		T-585HP-LF		S-585HP-LF		Weights													
	A	A	B	C	D	D	E	F	F	G	S-585HP-LF		T-585HP-LF											
In.	In.	mm.	In.	mm.	In.	mm.	In.	mm.	In.	mm.	In.	mm.	In.	mm.	lbs.	kg	lbs.	kg						
½"	5.02	128	5.11	130	4.04	103	2.03	52	2.56	65	2.65	67	0.50	13	1.92	49	2.14	54	0.94	24	0.50	0.23	0.64	0.29
¾"	5.65	143	5.52	140	4.18	106	2.31	59	3.08	78	3.17	81	0.75	19	2.93	74	2.66	68	1.43	36	0.91	0.41	1.16	0.53
1"	6.55	166	6.30	160	4.75	121	2.74	70	3.70	94	3.78	96	1.00	25	3.58	91	3.09	78	1.76	45	1.23	0.56	1.53	0.69
1¼"	7.04	179	6.75	171	5.06	129	2.92	74	4.03	102	4.03	102	1.25	32	3.96	101	3.38	86	2.02	51	1.92	0.87	2.25	1.02
1½"	9.05	230	8.65	220	6.75	171	3.22	82	4.56	116	4.56	116	1.50	38	4.61	117	3.79	96	2.43	62	2.84	1.29	3.19	1.45
2"	9.93	252	9.29	236	7.12	181	3.68	93	5.40	137	5.45	138	2.00	51	5.62	143	4.34	110	2.94	75	5.91	2.68	4.95	2.25

*Maximum working pressure/temperature ratings for solder-end valves per ASME B16.18 Table A-1. Published ratings require use of 95-5 tin-antimony solder when assembling joints.

*NIBCO recommends SS Ball for Hot Water and Steam applications.

GEOMET® is a registered trademark of NOF Metal Coatings, Inc and QMONIX® is a trademark of Quadion LLC.

WARNING: This product can expose you to chemicals including lead, which is known to the State of California to cause cancer and birth defects or other reproductive harm. For more information go to www.P65Warnings.ca.gov.

LEAD-FREE: Weighted average lead content ≤ 0.25%

LEAD-FREE: Weighted average lead content ≤ 0.25%