

# NIBCO® SURE SEAL®

## SERIES 899-892 BUTTERFLY VALVES

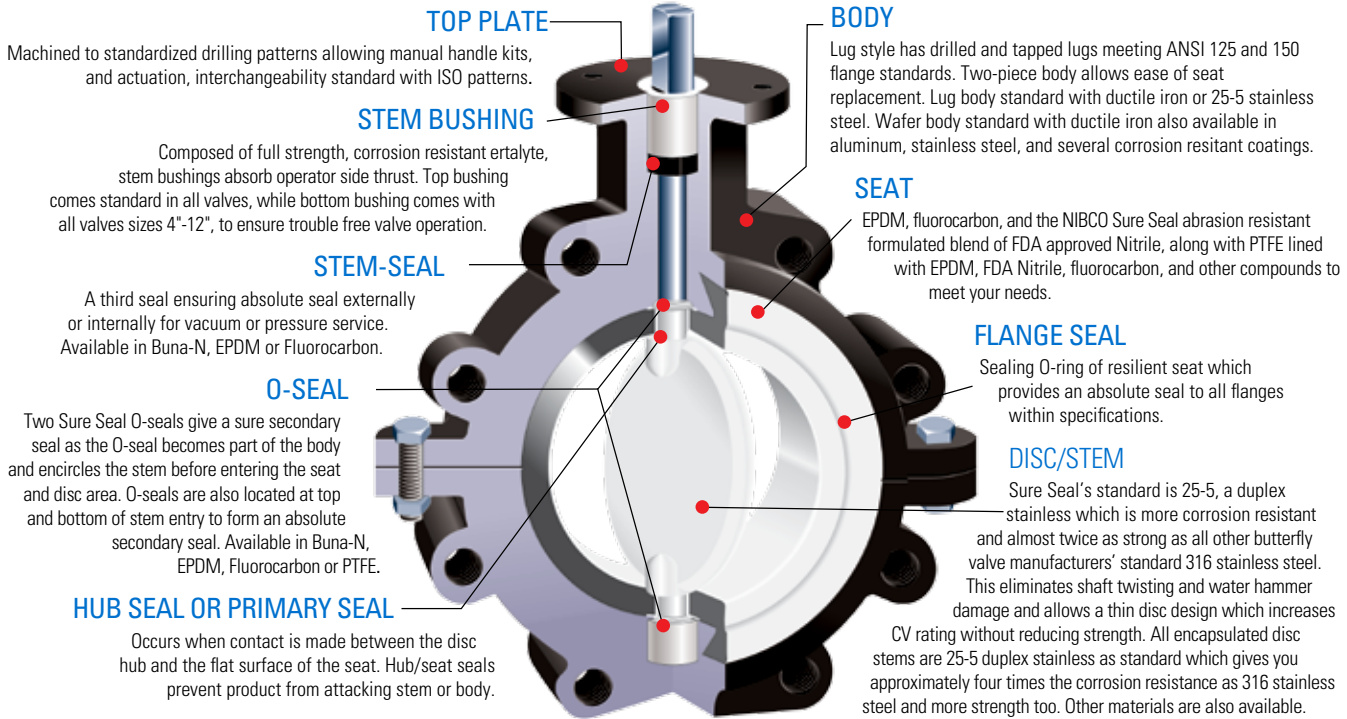


NIBCO offers a comprehensive selection of butterfly valves for chemical and food processing applications that are available in a broad range of materials, sizes, and pressures. Sure Seal® valves will exceed your application expectations and, like all NIBCO products, guarantee superior quality, performance, and service.

## NIBCO® Sure Seal® Series 899-892 Butterfly Valves

A Superior Sanitary Valve for the Chemical and Food Processing Industry

Sizes 1"–12" 125/150 ANSI

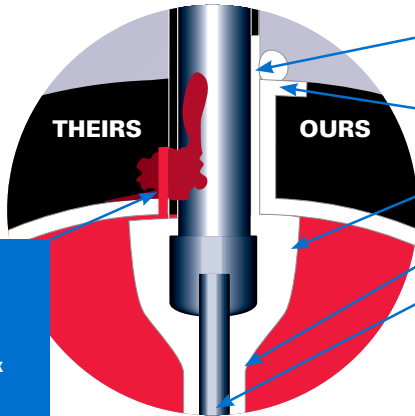


Every valve is tested to 110% of full pressure rating.



### The Difference Between Our Encapsulated Valve and Theirs

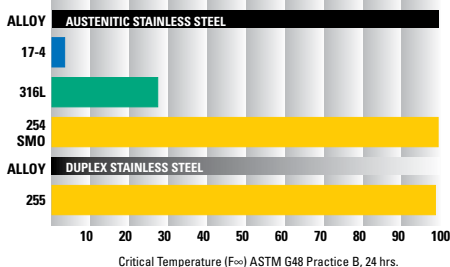
Without the Sure Seal superior encapsulated design, product and/or cleaners can enter into the stem hole and attack the seat and stem.



- 1 PTFE encapsulation extends through stem hole to PTFE O-seal top and bottom to assure positive seal to seat and O-seal for total isolation of metal parts.
- 2 PTFE lining extends through stem hole to PTFE O-seal for total isolation of rubber seat.
- 3 Total PTFE and elastomer covering of disc for both chemical resistance and sanitary food processing.
- 4 Slim disc for maximum flow.
- 5 The Sure Seal one piece disc and stem is standard 25-5 stainless steel which is several times more corrosion resistant and stronger than other manufacturers 316 stainless steel.
- 6 Precision machined stems top and bottom to assure the proper seal and alignment to the ertalyte bushing with patented O-seals for total secondary seal.

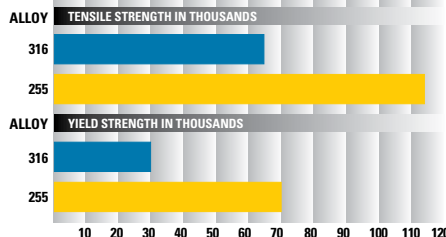
### Corrosion Resistance

#### ASTM - DISC STEM COMPARISON IN TEST OF FERRIC CHLORIDE



### Strength

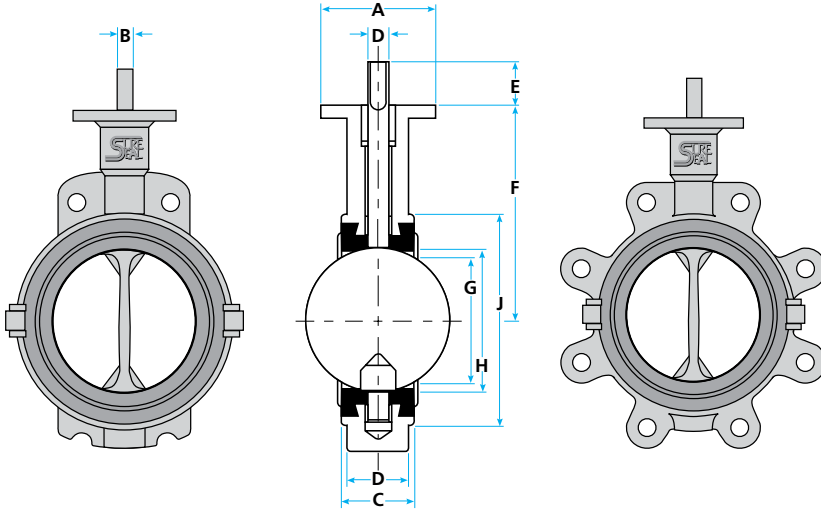
#### ASTM - MINIMUM MECHANICAL PROPERTIES



The chemical and food processing industry needed a truly sanitary valve, and with the Sure Seal O-seals they got just that. As the O-seal seals, at the back side of the seat top and bottom, and also at the stem entry top and bottom, it forms an absolute seal making it a truly sanitary valve on the market today.

Visit our website for the most current information.

Sizes 1"–12" 125/150 ANSI

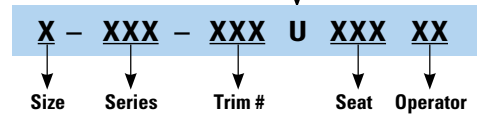


The Sure Seal standard 25-5 duplex stainless is more corrosion resistant and almost twice as strong as all other butterfly valve manufacturers standard 316 stainless steel. This eliminates shaft twisting and water hammer damage.

The Sure Seal slim disc design has one of the highest Cv's and with rounded, hand polished disc and hub edges that reduce friction torque to maintain seat life. Seats are available in 14 different compounds. Now you can save on valves and replacement parts for your existing valves.

## Ordering Information

Insert "U" for undercut disc only.  
\*Undercut available for 4"–12"



SIZE	SERIES	TRIM MATERIAL	SEAT MATERIAL	OPERATOR
1	1"	899	Wafer Schedule 80	
1.5	1.5"	892	Lug Schedule 80	
2	2"			
2.5	2.5"	822	DI/DuplexSS/DuplexSS	
3	3"	508	DI/PTFE/DuplexSS	
4	4"	755	DuplexSS/DuplexSS/DuplexSS	
5	5"	705	DuplexSS/PTFE/DuplexSS	
6	6"			
8	8"			
10	10"			
12	12"			

OPERATOR	DESCRIPTION
H10	10 Position Steel Handle
H9	10 Position 316 SS Handle
G1	CI Gear Operator
G9	SS Gear Operator
LH	Padlock 10 Position Steel Handle
GL	Padlockable Gear Operator

### Valve Size

	1	1.5	2	2.5	3	4	5	6	8	10	12
A	2.560	2.560	4.000	4.000	4.000	4.000	4.000	4.000	6.000	6.000	6.000
B	0.250	0.250	0.375	0.375	0.375	0.438	0.500	0.500	0.625	(1/4 x 1/4)	(1/4 x 1/4)
C	1.125	1.188	1.625	1.750	1.750	2.000	2.125	2.125	2.500	2.500	3.000
D	0.375	0.375	0.563	0.563	0.563	0.625	0.750	0.750	0.875	1.125	1.125
E	0.750	0.750	1.250	1.250	1.250	1.250	1.250	1.250	1.250	2.000	2.000
F	3.540	4.120	3.938	4.500	4.875	6.000	6.000	6.500	8.313	9.000	10.625
G	0.625	1.438	1.375	2.063	2.563	3.625	4.750	5.500	7.500	9.594	11.563
H	1.188	1.750	2.000	2.500	3.000	4.000	5.000	5.750	7.750	9.750	11.750
J	2.437	3.218	4.125	4.825	5.250	6.750	7.625	8.625	10.812	13.375	16.188

### Top Plate Drilling

NOTE: Both Standard and ISO drillings come on each valve

Standard	1	1.5	2	2.5	3	4	5	6	8	10	12
No. Holes	N/A	N/A	4	4	4	4	4	4	4	4	4
Bolt Circle	—	—	3.250	3.250	3.250	3.250	3.250	3.250	5.000	5.000	5.000
Hole Dia.	—	—	0.438	0.438	0.438	0.438	0.438	0.438	0.563	0.563	0.563

ISO	1	1.5	2	2.5	3	4	5	6	8	10	12
No. Holes	4	4	4	4	4	4	4	4	4	4	4
Bolt Circle	1.970	1.970	2.760	2.760	2.760	2.760	2.760	2.760	4.020	4.020	4.020
Hole Dia.	0.281	0.281	0.375	0.375	0.375	0.375	0.375	0.375	0.406	0.406	0.406

### Wafer Bolt Circle and Tapped Lug Data

	1	1.5	2	2.5	3	4	5	6	8	10	12
No. Holes	4	4	4	4	4	8	8	8	8	12	12
Bolt Circle	3.125	3.875	4.750	5.500	6.000	7.500	8.500	9.500	11.750	14.250	17.000
Tap	N/A			0.625-11 UNC				0.750-10 UNC		0.875-9 UNC	

### Weight in Pounds

Standard	1	1.5	2	2.5	3	4	5	6	8	10	12
899	2	4	6	8	9	11	15	17	29	44	85
892	N/A	N/A	8	10	11	17	21	26	42	65	108

### Expected Seat/Unseat Torque Values in in/lbs

	1	1.5	2	2.5	3	4	5	6	8	10	12
Dry	180.0	240.0	300.0	360.0	420.0	630.0	855.0	1185.0	1980.0	3045.0	4095.0
Lubricated	90.0	120.0	150.0	180.0	210.0	315.0	429.6	594.0	990.0	1524.0	2052.0

GENERAL NOTES: C = Installed Width · G = Minimum Allowable Inside DIA. of Pipe or Mating Flange  
1"–8" — D = Stem Connection DIA. · B = Flats · 10"–12" — D = Stem Connection Dia. · Keyway = .250 X .250  
\* Weight based on 25-5 Stainless Steel disc/stem and Ductile Iron Body.

For stainless steel mounting dimensions please refer to the stainless steel brochure

VELOCITY LIMITS: \* For On/Off Services · Fluids - 9 m/s (30 ft/sec) · Gases - 54 m/s (175 ft/sec)

PRESSURE LIMITS: Full cut Stainless Steel disc (150 psi) · Undercut Stainless Steel disc (50 psi) · Coated disc i.e., PTFE or rubber (100 psi)

Purchasers are expected to make their own tests to determine the suitability of these products for their particular purposes. The data represented in this flyer is for general information only. Manufacturer is not responsible for acceptability of these products in regard to individual system requirements. For specific performance data and correct materials selection, please contact your NIBCO salesperson.

Visit our website for the most current information.

# FEATURING NIBCO® SYSTEMS

NIBCO® PEX Piping Systems • NIBCO® Press System®

## FITTINGS



Wrot and cast copper pressure and drainage fittings • Cast copper alloy flanges  
• Wrot and cast press fittings • ABS and PVC DWV fittings • Schedule 40 PVC pressure fittings • CPVC CTS fittings • CPVC CTS-to-metal transition fittings  
• Schedule 80 PVC and CPVC systems • CPVC metric piping systems  
• CPVC BlazeMaster® fire protection fittings • Lead-Free\* fittings

BlazeMaster® is a registered trademark of The Lubrizol Corporation.  
\*Weighted average lead content ≤0.25%

## VALVES & ACTUATION

Pressure-rated bronze, iron and alloy-iron gate, globe and check valves • Pressure-rated bronze ball valves • Boiler specialty valves • Commercial and industrial butterfly valves • Circuit balancing valves • Carbon and stainless steel ball valves  
• ANSI flanged steel ball valves • Pneumatic and electric actuators and controls  
• Grooved ball and butterfly valves • High performance butterfly valves • UL/FM fire protection valves • MSS specification valves • Bronze specialty valves • Low pressure gate, globe, check and ball valves • Frostproof sillcocks • Quarter-turn supply stops • Quarter-turn low pressure valves • PVC ball valves • CPVC CTS ball valves • Bronze & Iron Y-Strainers • Lead-Free\* valves • Coil-Connect™ Kits

\*Weighted average lead content ≤0.25%



## CHEMTROL®



Thermoplastic pipe, valves and fittings in PVC, Corzan® CPVC, polypropylene and PVDF Kynar® • Pneumatic and electric actuation systems

Corzan® is a registered trademark of The Lubrizol Corporation. • Kynar® is a registered trademark of Arkema Inc.

## eNIBCO

EDI—Electronic Data Interchange • VMI—Vendor Managed Inventory  
• NIBCO.com • NIBCOpartner.com



# NIBCO®

AHEAD OF THE FLOW®

**NIBCO INC.**  
**WORLD HEADQUARTERS**  
WEB: [www.nibco.com](http://www.nibco.com)

1516 MIDDLEBURY STREET  
ELKHART, IN 46516-4740  
USA

DOMESTIC CUSTOMER SERVICE  
PHONE: 800.234.0227  
FAX: 800.234.0557

TECHNICAL SERVICE  
PHONE: 888.446.4226  
FAX: 888.336.4226

INTERNATIONAL OFFICE  
PHONE: +1/574.295.3327  
FAX: +1/574.295.3455